

Ideal for:  
Tyre Service  
Open Pit Mines & Quarries  
Tyre Manufactures / Dealers  
OEM / Workshops / Assembly Lines

# Easy Gripper 3700-8T

Save  
**time**  
Improve  
safety



DISCLAIMER: Forklift shown is for demonstration purposes only!

## Professional tools for handling of OTR/EM tyres up to 46/90R57

- Unique 3-point grip
- Precise rotation +/-25°
- 60° or 90° tilt, horizontal to vertical
- Tools for safe handling of tyre rings
- Integrated camera system for optimal view
- Prevent damage to tyres, rims & equipment
- Customization available



Experts in Tyre Handling Equipment



# Easy Gripper

The Easy Gripper product range is designed to help tyre professionals in a multitude of conditions and situations. Implementing The Easy Gripper makes tyre handling faster and safer, while preventing damage to tyres, rims and equipment.

## Capability

With a gripping range from Ø1.650 - 3.700 mm (65 - 146") and a lifting capacity of 8 ton (17.600 lbs) at a CoG of 650mm (26"), the Easy Gripper 3700-8T handles tyres up to 46/90R57. When handling full wheel assemblies as inside duals, the Gripper handles up to 40.00R57 tyres.



### Open pit mines & quarries

Reduces down time and improves the safety for the tyre technicians. See also the tools for handling the rings, when mounting or demounting tyres.

### Tyre manufacturers / dealers

For use in tyre production, warehouse, loading and unloading. Fast and safe handling – horizontal and vertical.



### Tyre service

As stationary solution in open pit mines or as mobile solution mounted on forklift, front loader or telehandler.

### OEM

Handling of tyres and wheels from unloading to warehouse and assembly lines. Mounting of wheels with tilt, precise rotation and camera system.





## Forklifts



The Easy Gripper 3700-8T with the 90° tilt module, is ideal for use on forklifts.

## Front loaders and telehandlers



The Easy Gripper 3700-8T Compact without tilt or with the 60° tilt module is a good choice depending on the tilt the carrier can provide.

### Standard features

#### Unique and safe 3-point grip

Avoid accidents.  
Avoid deformation of tyres.  
Avoid damages to tyres, rims and equipment.

#### Integrated camera system with 2 cameras

For optimal view and for precise hub and bolt alignment.  
With automatic IR function in insufficient light conditions.

#### Precise rotation +/-25°

#### 60° or 90° tilt module, horizontal to vertical

#### LED working light

#### Customized attachment system



Unique and safe 3-point grip



90° tilt - horizontal to vertical



Tools for safe handling of tyre rings



Integrated camera system for optimal view

### Optional accessories

#### Quick Shift System

Easy hook on and off.  
Shift between Gripper and forks.

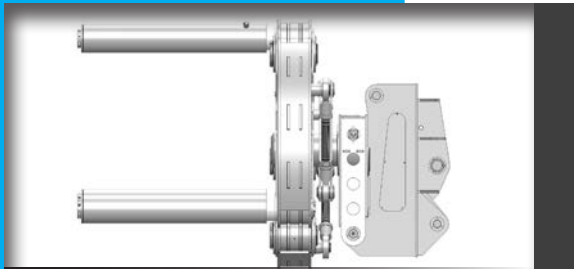
#### Easy shift of gripping pipes for various purposes

Telescopic pipes for long reach, to provide room for the tyre fitters and for dual tyre handling.

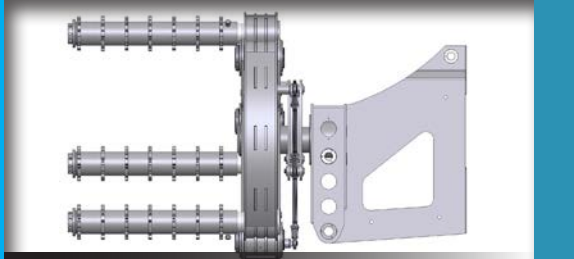
#### Tools for safe handling of tyre rings

To help tyre fitters with the hard and dangerous work.  
Can easily be attached at the end of the gripping pipes.  
Can push the tyre and can hold and place the rings.

#### Customization on request



60° tilt module



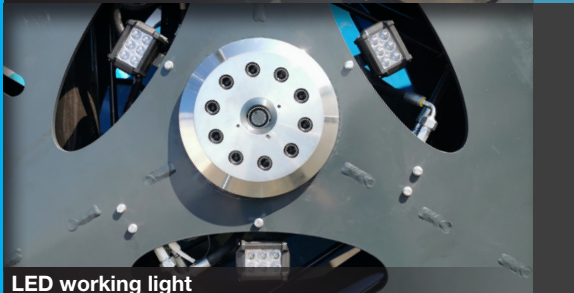
90° tilt module



Loader specific attachment



Second camera for precise bolt alignment

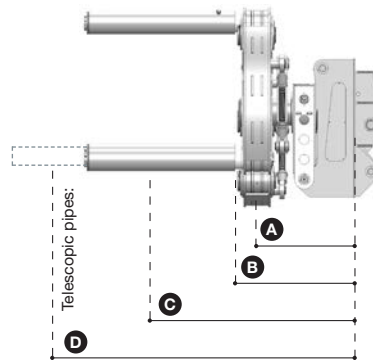


LED working light

## Technical Specifications

Weight:	60° = 5.280 kg (11.640 lbs)
Lifting capacity:	8.000 kg (17.600 lbs) at <b>C</b> from <b>B</b> 650 mm (26")
	5.200 kg (11.464 lbs) at <b>D</b> from <b>B</b> 1.750 mm (69")
Tyre diameter:	1.650 - 3.700 mm (65 - 146")
Standard pipes:	Ø256 x 1.250 mm (10 x 49")
Telescopic pipes:	Ø299 x 1.200 -> 1.975 mm (12 x 47 -> 78")
Attachment:	Terminal West / Loader specific

### 60° tilt module



- A** CoG Gripper = 970 mm (38")
- B** Face of Gripper = 1.145 mm (45")
- C** CoG Load1 = 1.795 mm (71")
- D** CoG Load2 = 2.895 mm (114")

### Technical Requirements of forklift or loader

Lifting capacity:	Individual calculation
Electrical supply:	12/24 V / min 10A
Hydraulic:	1 double acting hydraulic valve
Pressure min-max:	145 - 250 bar (2.103 - 3.626 psi)
Return pressure:	max. 10 bar (145 psi)
Flow:	max. 75 l/min. (19,8 gal/min.)

Authorized Dealer

a116/c0/grippers/010101 - REV.01.01.2022



+45 72 344 344  
 info@justeasytools.dk  
 www.justeasytools.com  
 VAT no.: DK33644809

Just Easy Tools ApS  
 Nupark 51  
 DK-7500 Holstebro  
 Denmark