

Ideal for:
 Tyre Service
 Open Pit Mines & Quarries
 Civil Construction / Cement Plants
 Tyre Manufactures / Dealers
 OEM / Workshops / Assembly Lines

**Easy
 Gripper**
 2800-3.2T

**Save
 time
 Improve
 safety**



Professional tools for handling of OTR/EM tyres up to 27.00R49

- Unique 3-point grip
- Precise rotation +/-25°
- 35° or 90° tilt, horizontal to vertical
- Tools for safe handling of tyre rings
- Integrated camera system for optimal view
- Prevents damage to tyres, rims & equipment
- Customization available



Experts in Tyre Handling Equipment



Easy Gripper

The Easy Gripper product range is designed to help professional tyre technicians in a multitude of conditions and situations. Implementing The Easy Gripper makes tyre handling faster and safer, while preventing damages to tyres, rims and equipment.

Capability

With a gripping range of Ø1.150 - 2.800 mm (45 - 110") and a lifting capacity of 3.2 ton (7.000 lbs) at a CoG of 650 mm (25,6") from face of gripper, the Easy Gripper 2800-3.2T handles OTR/EM tyres and wheel assemblies up to 27.00R49.



Improve safety and efficiency

The unique 3-point grip, precise tilt and rotation, integrated camera system and special designed Ring Handling Tools all improves the safety as well as the efficiency while handling tyres and wheels.

Optimized tyre logistics

Stacks tyres both horizontal and vertically at workshops and warehouse areas. Fast and safe loading and unloading of trailers.



Mobile and on-site tyre service

Mounted on forklifts, front loaders or telehandlers all tyre service situations in all environments can be handled in the mining industry and civil construction.

OEM assembly lines

The Easy Gripper has full control of the tyres and wheels during the whole process, until it is firmly mounted on a vehicle. Proven record of reducing internal damages with up to 90%.



Forklifts



The Easy Gripper 2800-3.2T with the 90° tilt module, is ideal for use on forklifts.

Front loaders and telehandlers



The Easy Gripper 2800-3.2T Compact without tilt or with the 35° tilt module is a good choice depending on the tilt provided by the carrier.

Truck cranes



By use of our Crane Module, the Gripper can also fit with almost any truck crane system.

Standard features

Unique and safe 3-point grip

Prevents accidents.
Prevents deformation of tyres.
Prevents damages to tyres, rims and equipment.

Integrated camera system with 2 cameras

For optimal view and for precise hub and bolt alignment.
With automatic IR function in insufficient light conditions.

Precise rotation +/-25°

35° or 90° tilt, horizontal to vertical

LED working light

Customized attachment system



Unique and safe 3-point grip



35° or 90° tilt module - horizontal to vertical



Tools for safe handling of tyre rings



Integrated camera system for optimal view

Optional accessories

Quick Shift System

Easy hook on and off.
Shift between Gripper and forks.

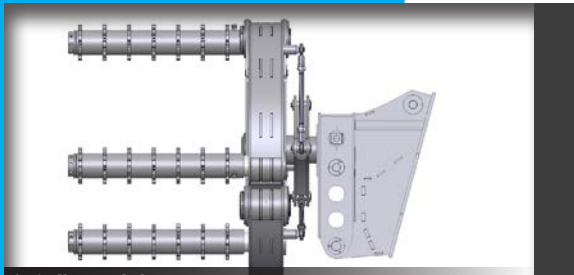
Easy shift of gripping pipes for various purposes

Telescopic pipes for long reach, to provide room for the tyre technicians and for dual tyre handling.
Flat top arm for limited tyre clearance

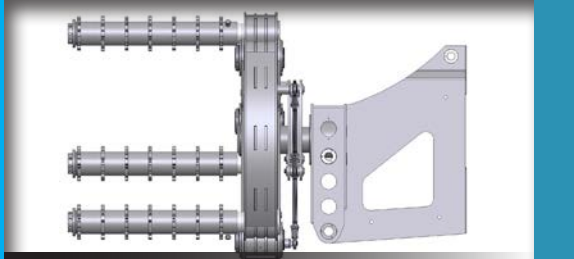
Tools for safe handling of tyre rings

Special designed Ring Handling Tools for handling multi-piece rim wheels are another exclusive feature that is only available with an Easy Gripper. With the Ring Handling Tools the tyre technicians can grip, hold, press, or place tyres, rims and rings as needed
- a major improvement of safety and efficiency!

Customization on request



35° tilt module



90° tilt module



Interface for carrier specific attachment



2 Camera System - for hub and bolt alignment



LED working light

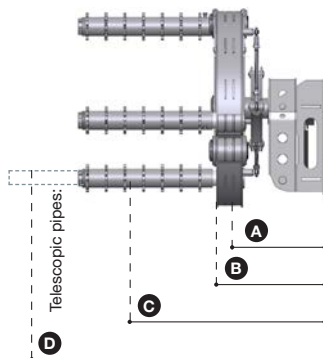


Telescopic pipes for long reach

Technical Specifications

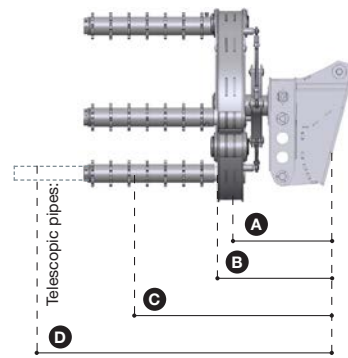
Weight:	Compact = 2.050 kg / 35° = 2.150 kg / 90° = 2.355 kg
Lifting capacity:	3.200 kg (7.000 lbs) at C from B 650 mm (25,6") 2.600 kg (5.720 lbs) at D from B 1.300 mm (51")
Tyre diameter:	1.150 - 2.800 mm (45 - 110")
Standard pipes:	Ø160 x 900 mm (6.5 x 35")
Telescopic pipes:	Ø220 x 1.050 -> 1.700 mm (8.7 x 41 -> 67")
Attachment:	ISO/FEM/ITA Class 4 or 5 / Terminal West / carrier specific

Compact



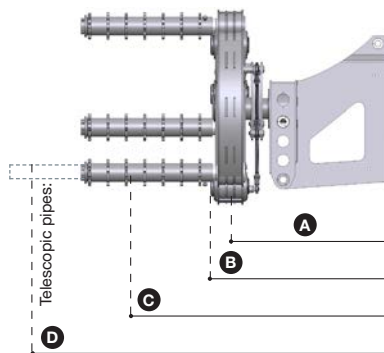
A	CoG Gripper = 700 mm (28")
B	Face of Gripper = 945 mm (37")
C	CoG Load1 = 1.600 mm (63")
D	CoG Load2 = 2.245 mm (88")

35° tilt module



A	CoG Gripper = 800 mm (32")
B	Face of Gripper = 980 mm (39")
C	CoG Load1 = 1.630 mm (64")
D	CoG Load2 = 2.280 mm (90")

90° tilt module



A	CoG Gripper = 1.170 mm (46")
B	Face of Gripper = 1.400 mm (55")
C	CoG Load1 = 2.050 mm (81")
D	CoG Load2 = 2.700 mm (106")

Technical Requirements of forklift or loader

Lifting capacity:	Individual calculation
Electrical supply:	12/24 V / min 10A
Hydraulic:	1 double acting hydraulic valve
Pressure min-max:	150 - 250 bar (2.175 - 3.626 psi)
Return pressure:	max. 10 bar (145 psi)
Flow:	max. 75 l/min. (19,8 gal/min.)



+45 72 344 344
info@justeasytools.dk
www.justeasytools.com
VAT no.: DK33644809

Just Easy Tools ApS
Nybovej 33
DK-7500 Holstebro
Denmark